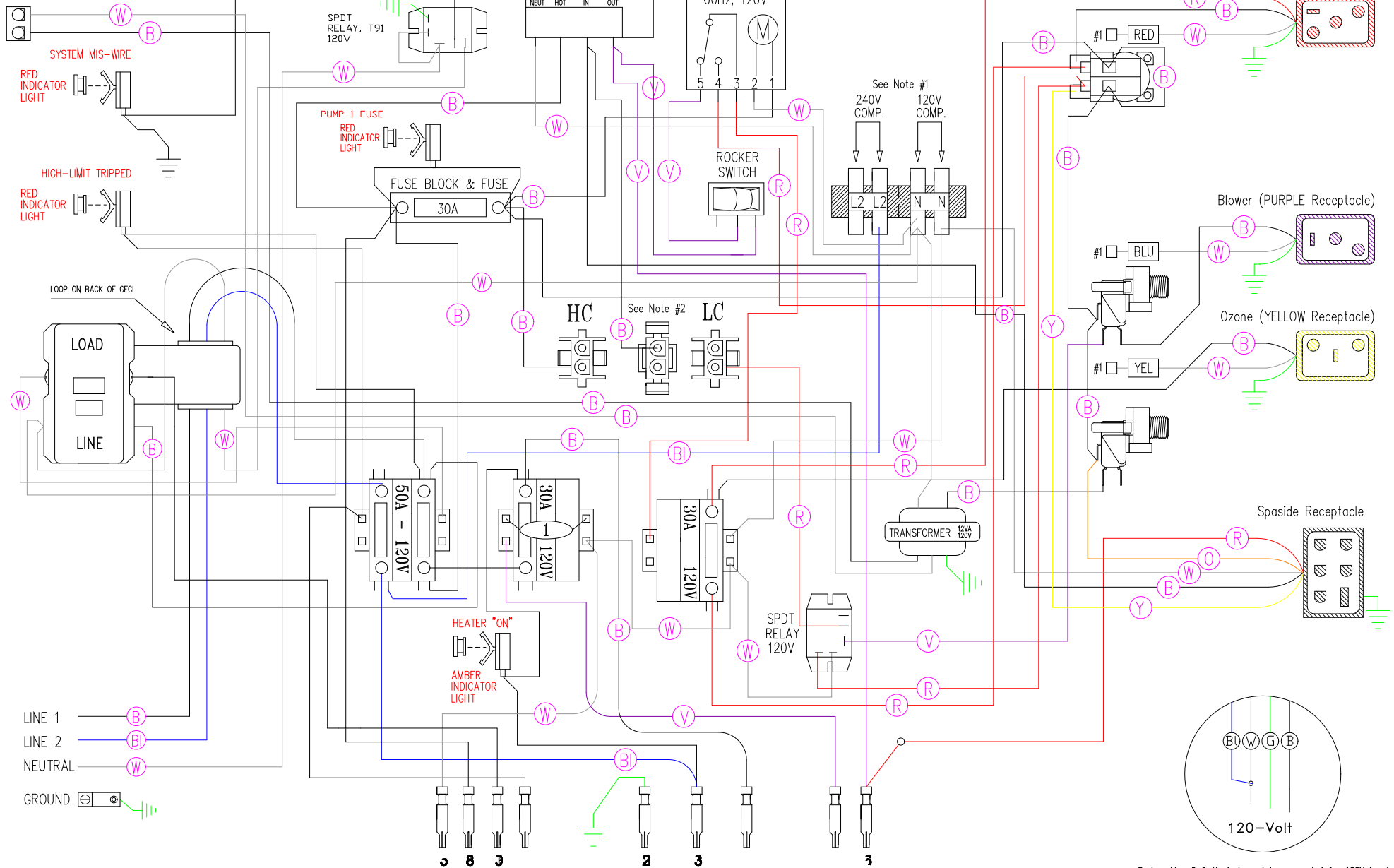


LIGHT RECP.
"WHITE 2-PIN" AMP



System Line 2 & Neutral must be connected for 120V input.

HYDRO QUIP
CORONA, CA (909) 273-7575

Dwg. No.
506G0-DKS5

Drawn
BH

Rev
1

Wire Color Code

Manufacture Notes: #1 - Universal System, connecting the White/Component receptacle wire to the corresponding position on the Universal Terminal Block determines component voltage.

#2 - Low Current (heater off w/high-speed pump or blower) or High Current (no heater restriction)

Date
02.01.05

Diagram
No. 7030

B - Black
Br - Brown
R - Red
O - Orange
Y - Yellow
G - Green
Bl - Blue
V - Violet
W - White
Gr - Gray